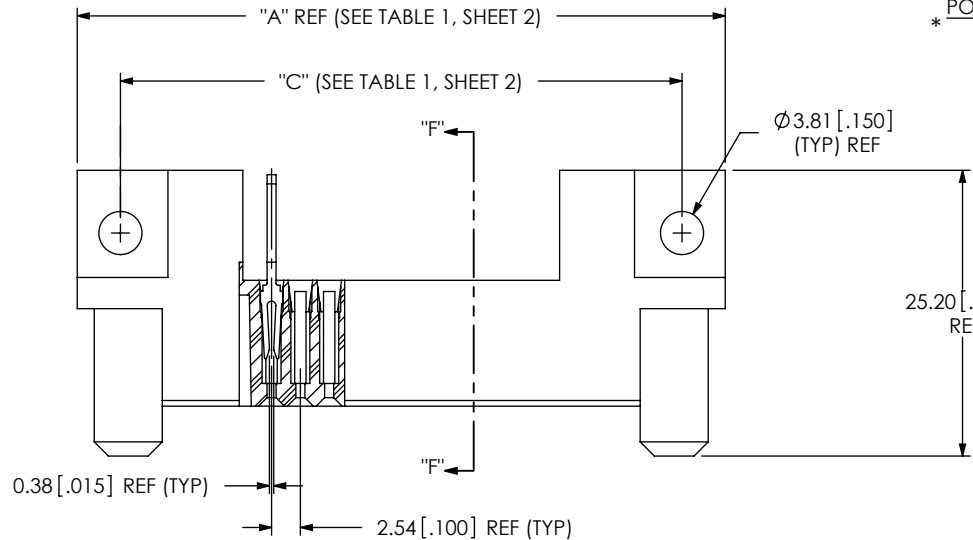


DO NOT SCALE FROM THIS PRINT

DESIGNED & DIMENSIONED IN MILLIMETERS [INCHES]

PESC-XX-XX-XX-01-X-RA-XX



- * POWER POSITIONS (PER END) -01, -02, -04
- * SIGNAL POSITIONS -12, -40
- * POWER POSITIONS (PER END) -01, -02, -04
- OPTION
 - SD: SCREW DOWN (SEE FIG. 1, SHT 1)
 - LC: LOCKING CLIP (USE LC-11-TM) (SEE FIG. 2, SHT 2)
- RIGHT ANGLE
- PLATING SPECIFICATION
 - S: SELECTIVE 30 Au / 50 Ni MIN ON CONTACT, MATTE TIN ON TAIL
 - T: MATTE TIN, CONTACT AND TAIL
 - L: LIGHT SELECTIVE, 10 Au / 50 Ni ON CONTACT, MATTE TIN ON TAIL
- LEAD STYLE -01

* - SEE TABLE 1 FOR AVAILABLE COMBINATIONS

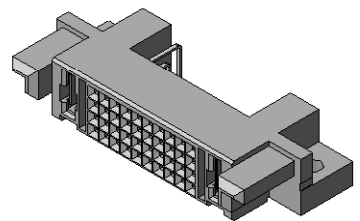
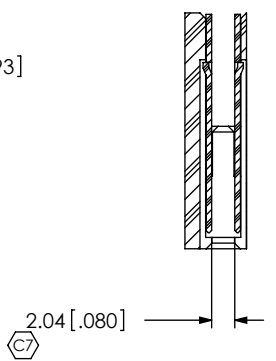
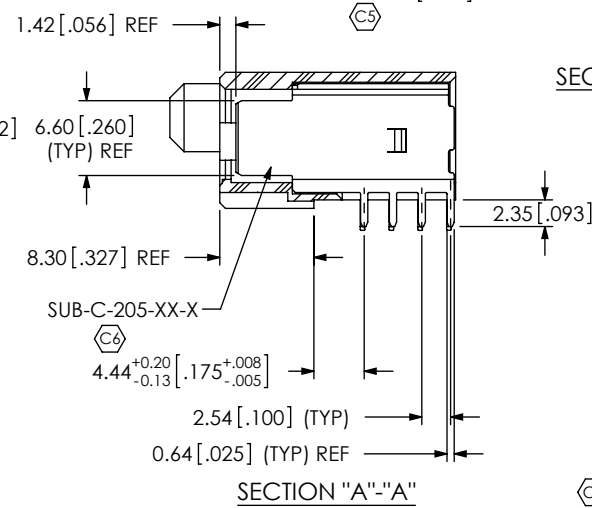
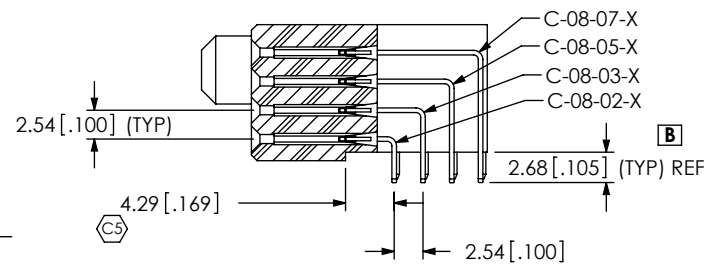
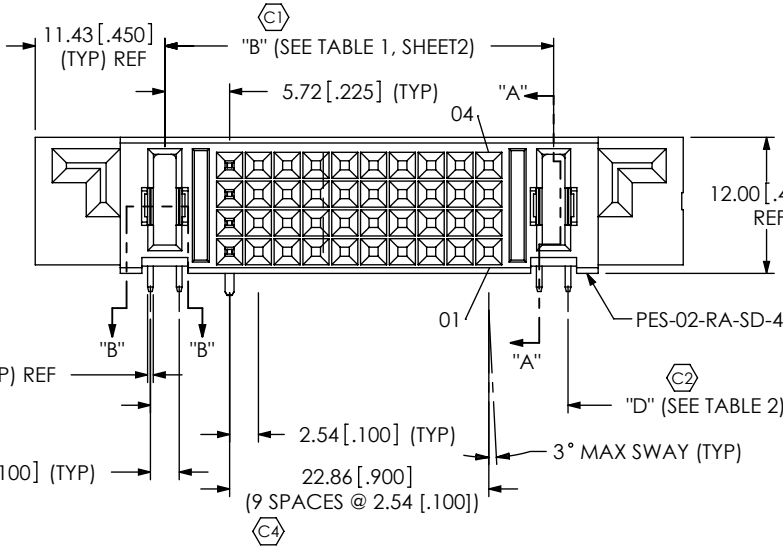


FIG. 1 PESC-01-40-0T-X-RA-SD SHOWN

NOTES:

1. Ⓢ REPRESENTS A CRITICAL DIMENSION.
2. BURR ALLOWANCE: 0.038 [0.015] MAX.
3. MINIMUM PUSHOUT FORCE: 2.22N [5 LB].
4. PARTS TO BE PACKAGED IN TRAYS.
5. PARTS PLACED IN TRAY WITH PIN #1 FACING THE RIGHT SIDE, DUE TO PIN NUMBERING ORDER.

UNLESS OTHERWISE SPECIFIED, DIMENSIONS ARE IN MILLIMETERS. TOLERANCES ARE:
 DECIMALS ANGLES
 .X: ±0.3 [0.1] 2°
 .XX: ±0.13 [0.05]
 .XXX: ±0.051 [0.020]

PROPRIETARY NOTE
 THIS DOCUMENT CONTAINS INFORMATION CONFIDENTIAL AND PROPRIETARY TO SAMTEC, INC. AND SHALL NOT BE REPRODUCED OR TRANSFERRED TO OTHER DOCUMENTS OR DISCLOSED TO OTHERS OR USED FOR ANY PURPOSE OTHER THAN THAT WHICH IT WAS OBTAINED WITHOUT THE EXPRESSED WRITTEN CONSENT OF SAMTEC, INC.



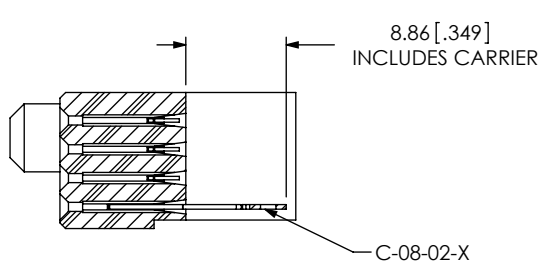
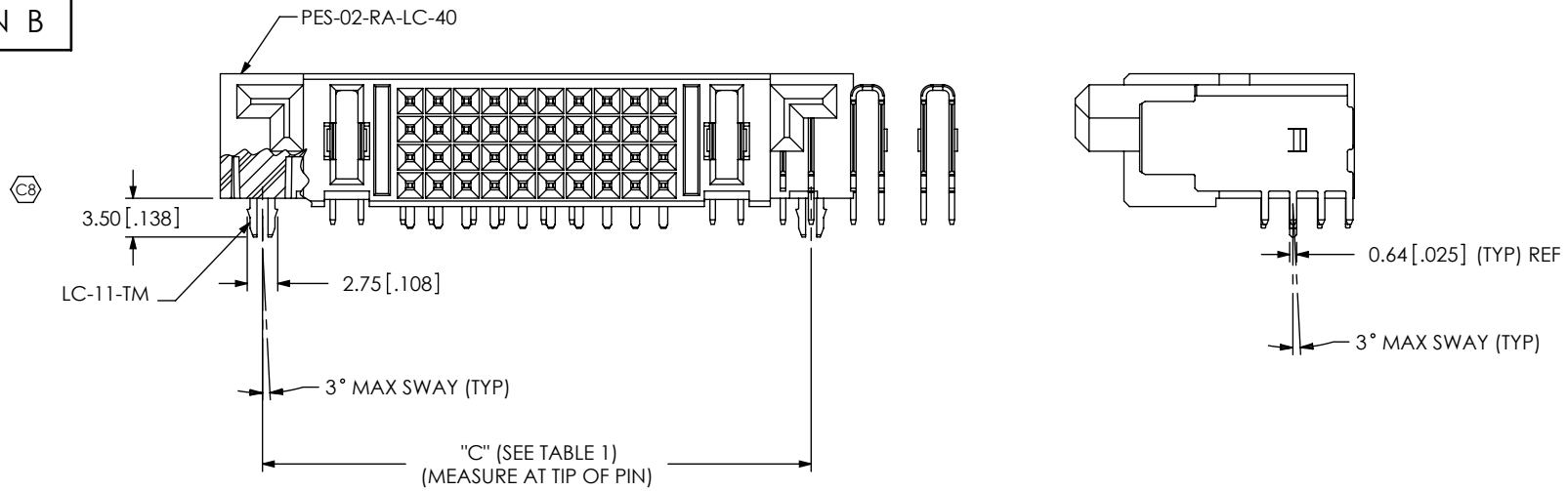
520 PARK EAST BLVD. NEW ALBANY, IN 47150
 PHONE: 812-944-6733 FAX: 812-948-5047
 e-Mail: info@SAMTEC.com code 55322

MATERIAL: DO NOT SCALE DRAWING SHEET SCALE: 1:0.666667
 INSULATOR: LCP, COLOR: BLACK
 TERMINAL: COPPER ALLOY

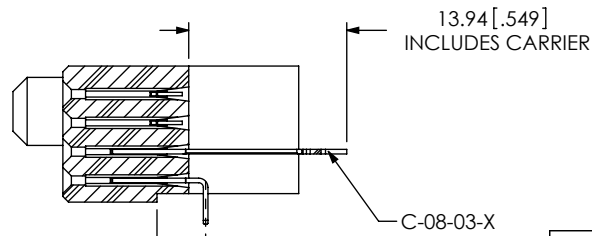
DESCRIPTION: RIGHT ANGLE POWER SOCKET

DWG. NO. PESC-XX-XX-XX-01-X-RA-XX

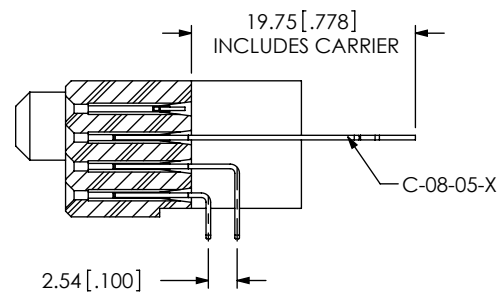
BY: B. COOPER 11/24/2009 SHEET 1 OF 2



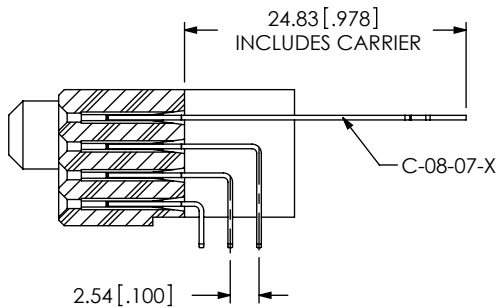
IN-PROCESS 1



IN-PROCESS 2



IN-PROCESS 3



IN-PROCESS 4

TABLE 1				
PART NUMBER	"A"	"B"	"C"	"D"
PESC-01-40-01-01-X-RA-XX	57.15 [2.250]	34.29 [1.350]	49.53 [1.950]	36.83 [1.450]
PESC-02-40-02-01-X-RA-XX	69.85 [2.750]	46.99 [1.850]	62.23 [2.450]	49.53 [1.950]
PESC-04-40-04-01-X-RA-XX	95.25 [3.750]	72.39 [2.850]	87.63 [3.450]	74.93 [2.950]
PESC-01-12-01-01-X-RA-XX	39.37 [1.550]	16.51 [0.650]	31.75 [1.250]	19.05 [0.750]
PESC-02-12-02-01-X-RA-XX	52.07 [2.050]	29.21 [1.150]	44.45 [1.750]	31.75 [1.250]
PESC-04-12-04-01-X-RA-XX	77.47 [3.050]	54.61 [2.150]	69.85 [2.750]	57.15 [2.250]

PROPRIETARY NOTE
 THIS DOCUMENT CONTAINS INFORMATION CONFIDENTIAL AND PROPRIETARY TO SAMTEC, INC. AND SHALL NOT BE REPRODUCED OR TRANSFERRED TO OTHER DOCUMENTS OR DISCLOSED TO OTHERS OR USED FOR ANY PURPOSE OTHER THAN THAT WHICH IT WAS OBTAINED WITHOUT THE EXPRESSED WRITTEN CONSENT OF SAMTEC, INC.

DO NOT SCALE DRAWING

SHEET SCALE: 1.5:1



520 PARK EAST BLVD, NEW ALBANY, IN 47150
 PHONE: 812-944-6733 FAX: 812-948-5047
 e-Mail: info@SAMTEC.com code 55322

DESCRIPTION: RIGHT ANGLE POWER SOCKET

DWG. NO. PESC-XX-XX-XX-01-X-RA-XX

BY: B. COOPER 11/24/2009 SHEET 2 OF 2